

RRE SERIES HEAVY DUTY ELECTRIC GRIDDLES



MODEL RRE36



- **RRE24** 24" w x 24" d griddle plate
- **RRE36** 36" w x 24" d griddle plate
- **RRE48** 48" w x 24" d griddle plate

STANDARD FEATURES

- Stainless steel front, sides and 4" adjustable legs.
- 13" cooking height on 4" adjustable legs.
- 5/8" composite griddle plate with stainless steel cooking surface.
- Two solid sheathed tubular incoloy heating elements, one snap action thermostat and cycling light per each 12" griddle width. Thermostats adjust from 200° to 450° F.
- Stainless steel 4" back and tapered side splashes.
- 3 1/8" wide front grease trough empties into a large capacity grease drawer.
- Available in 208V or 240V , 60Hz, 1 or 3 phase power supply. 480V,60Hz 3 phase power supply.
- One year limited parts and labor warranty.

SPECIFICATIONS

Heavy Duty electric griddle, Vulcan-Hart Model No. _____ Stainless steel front and sides. 13" cooking height on 4" adjustable legs. 1/2" composite griddle plate with stainless steel cooking surface. Two tubular incoloy elements and one snap action thermostat for every 12" of griddle width. Thermostats adjust from 200° to 450° F. Stainless steel 4" back and tapered side splashes. 3 1/8" wide front grease trough empties into large capacity grease drawer. Available in 208V,240V or 480 volt 60Hz, 1 or 3 phase power supply.

OPTIONS

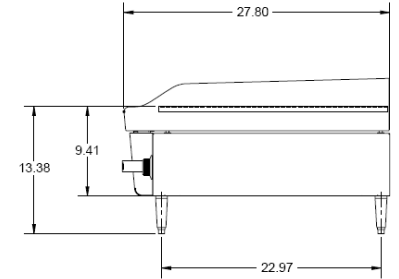
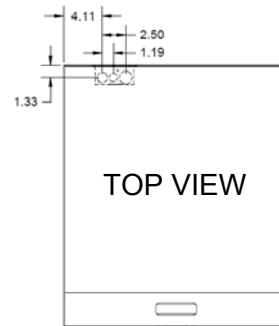
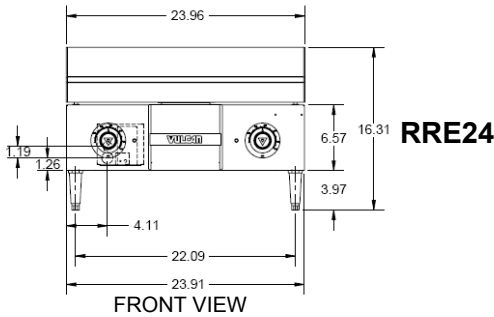
- Stainless steel stand with marine edges and casters.

SPECIFY VOLTAGE WHEN ORDERING.

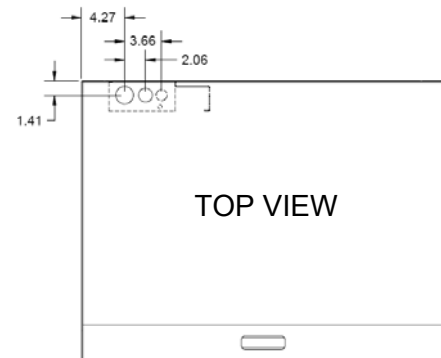
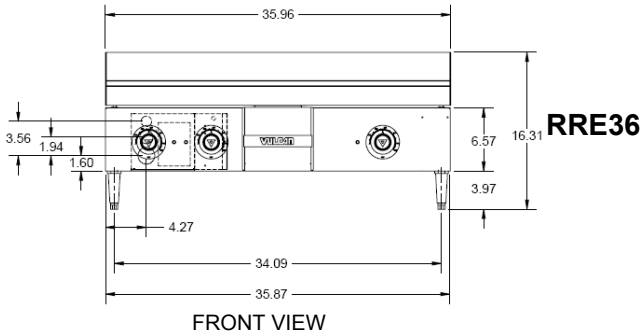
RRE SERIES HEAVY DUTY ELECTRIC GRIDDLES

ELECTRICAL CHARACTERISTICS

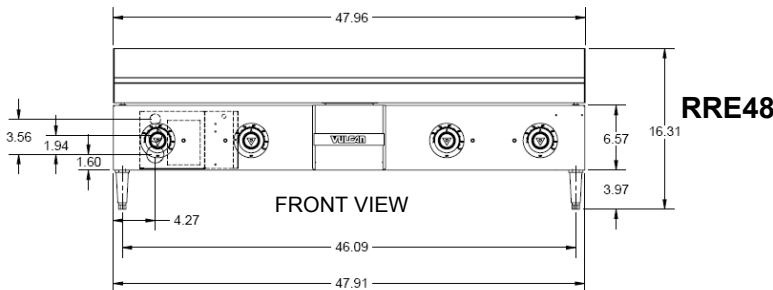
STANDARD VOLTAGES-208 VOLTS OR 240 VOLTS 60 Hz.-SINGLE OR THREE PHASE 480 VOLTS 60 Hz.-THREE PHASE ONLY																
MODEL NO.	TOTAL CONN. KW	TOTAL KW PER CONN	3 PHASE LOADING KW PER PHASE PER CONN.*			NOMINAL AMPS PER LINE WIRE CONN.*										
						3 PHASE									1 PHASE	
			X-Y Y-Z X-Z			208 VOLT			240 VOLT			480 VOLT			208	240
						X	Y	Z	X	Y	Z	X	Y	Z	VOLT	VOLT
RRE24	10.8	10.8	5.4	0.0	5.4	45.0	26.0	26.0	39.0	22.5	22.5	19.5	11.3	11.3	51.9	45.0
RRE36	16.2	16.2	5.4	5.4	5.4	45.0	45.0	45.0	39.0	39.0	39.0	19.5	19.5	19.5	77.9	67.5
RRE48	21.6	21.6	10.8	5.4	5.4	68.7	68.7	45.2	59.5	59.5	39.0	29.8	29.8	19.5	103.9	90.0



**ELECTRICAL KNOCKOUTS
RRE24**



**ELECTRICAL KNOCKOUTS
RRE36 AND RRE48**



MODEL No.	OVERALL DIMENSIONS			GRIDDLE SURFACE DIMENSIONS		APPROX. SHIP WT.
	WIDTH	DEPTH	HEIGHT	WIDTH	DEPTH	
RRE24	24" (610)	27 ⁵ / ₈ " (702)	16 ³ / ₈ " (415)	24" (610)	24" (610)	157 lbs/71 kg
RRE36	36" (914)	27 ⁵ / ₈ " (702)	16 ³ / ₈ " (415)	36" (914)	24" (610)	208 lbs/94 kg
RRE48	48" (1219)	27 ⁵ / ₈ " (702)	16 ³ / ₈ " (415)	48" (1219)	24" (610)	259 lbs/117 kg

INSTALLATION CLEARANCES: Sides and rear must be 1" from nearest combustible construction.

*These are nominal dimensions and can vary by +0.62" with adjustable legs.

NOTE: In line with its policy to continually improve its products, Vulcan-Hart Company reserves the right to change materials and specifications without notice.